

ISOLATION CARTS

ACCESSORIES

WORKTOP & SIDE SHELF *

CRTA-SLSHLF-R
Worktop: ABS 60x40cm (24x16")
+ Stainless Steel 40x30cm (16x12")



WORKTOP GALLERY TOP

CRTA-TOPPC-3SGT
Worktop: ABS 60x40cm (24x16")



WORKING SURFACE

CRTA-TOPPC-ST
Standard for procedure cart
Worktop: 60x40cm (24x16")



COMBINATION LOCK

CRTA-MK39/43ELKIT
Electronic Lock With four-digit
user code



ALUMINUM ACCESSORY RAIL

#CRTA-SRAIL-MK/NM
For mounting various accessories
on Carts



HAZARD BIN HOLDER

#CRTA-HAZB-HL
Powder coated steel



GLOVE HOLDER

#CRTA-GLVBX
For holding 3 disposable
glove boxes 24x16.4x9.2cm
(9.6x6.5x3.7")



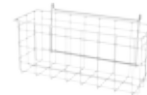
TRIO GLOVE HOLDER

#CRTA-GLOVBX-3
For holding disposable
glove boxes 24x16.4x9.2cm
(9.6x6.5x3.7")



SIDE BASKET

#CRTA-SBASKET
Wire Side Basket
44x16x19cm (17.6x6.4x7.6")



WASTE BASKET

#CRTA-WSBIN
Waste Basket, Large
with Holder 26x20x36.5cm
(10.4x8x14.6") - 10L



PUSH HANDLE

#CRTA-SRAIL-MK/NM
Aluminum 40cm (16")



FOLDABLE FRAME

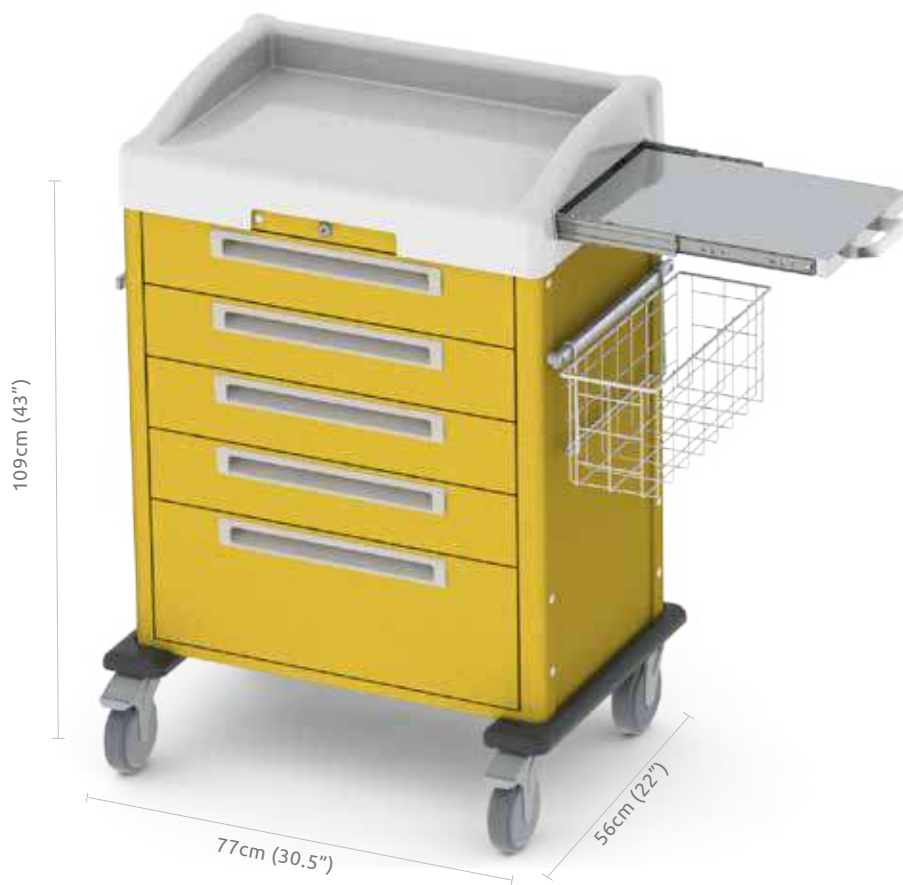
#CRTA-SFRAME-FL
For side Shelf/side Tray



Should be ordered with 1 or 2 accessory rails

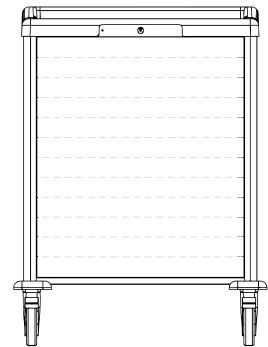
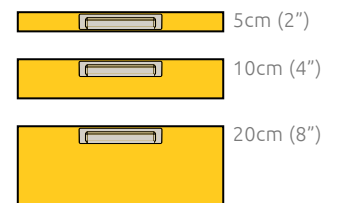
* Note: Side shelf with gallery top is optional and should be ordered separately

M39-ISO1



MULTIPLE DRAWER FRONTS CONFIGURATIONS

Drawer front configuration can be changed instantly without the use of tools i.e. single set of 10cm (4") drawer can be changed with 2 sets of 5cm (2") drawers .



CRT-M35KL-4448

CRT-M39KL-44448